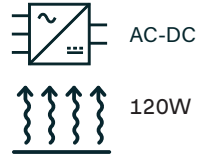


LOF120-C SERIES



DIMENSIONS:

3.15 x 2.11 x 1.58"
(80 x 62 x 40mm)



POWER DENSE

LOW PROFILE

2 x MOPP

150W 10S PEAK

CLASS I OR II

OPEN FRAME OPTION

Part numbers

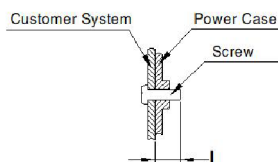
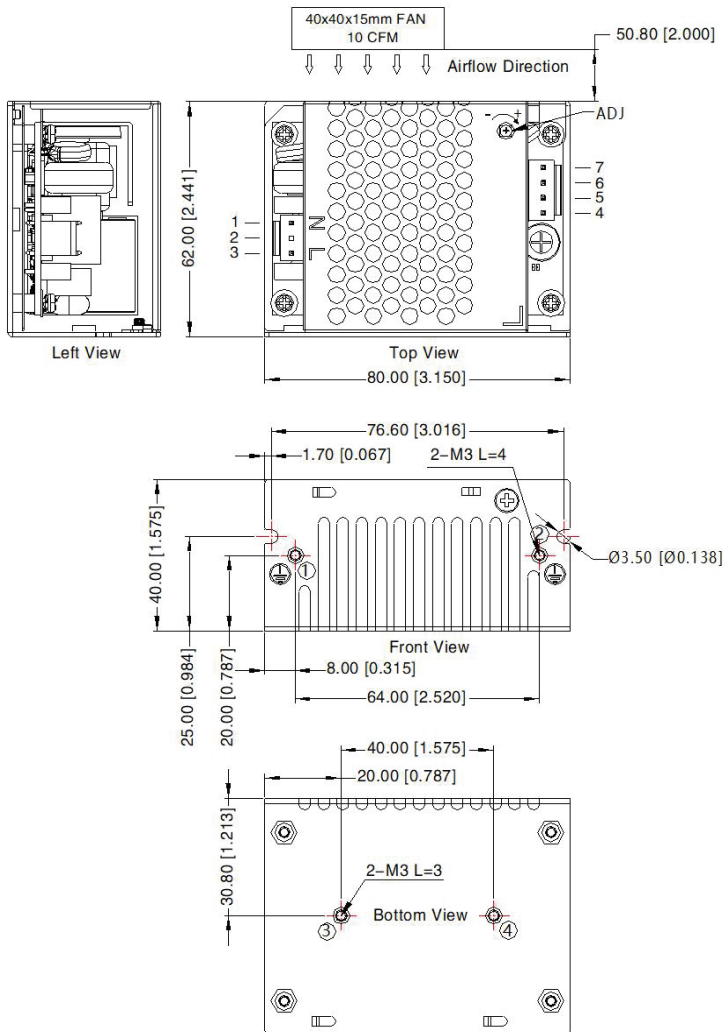
LOF	120	-	20B	12	-	C
Series	Power (W)		Input voltage	Output voltage		Options
			85-264VAC	12 = 12VDC 15 = 15VDC 24 = 24VDC 27 = 27VDC 36 = 36VDC 48 = 48VDC 54 = 54VDC		-C = covered version

Key specifications

Input range	Safety certification	Features	Efficiency	Environmental performance
85-264VAC	IEC/EN 62368-1 EN 60335-1 ES/EN 60601-1	Voltage adjust	94-95%	Operational: -40 to 85°C

LOF120-C SERIES

Mechanical



Connector	Pin/Function
Input Connector ⁽²⁾	1. AC Neutral 2. N/C 3. AC Line
Output Connector ⁽³⁾	4. -Vout 5. -Vout 6. +Vout 7. +Vout

Notes

1. All dimensions shown in mm [Inch]
2. J1: Input connector mates with JST VHR-3N
3. J2: Output connector mates with JST VHR-4N
4. For Class I systems positions 1 and 4 must be connected to earth
5. General tolerance ± 1.00 [± 0.039]
6. For covered versions, case must be connected to earth

Weight

180g

LOF120-C SERIES

Models & Ratings

Model Number	Output voltage	Voltage adjust	Output Power		Output Current		Efficiency ⁽²⁾	Max Cap Load
			Continuous Convection	Overload 10sec ⁽¹⁾	Continuous Convection	Overload 10sec ⁽¹⁾		
LOF120-20B12-C	12V	11.4-12.6V	114W	141.6W	9.5A	11.8A	94%	6000uF
LOF120-20B15-C	15V	14.3-15.8V	114W	142.5W	7.6A	9.5A	94%	5000uF
LOF120-20B24-C	24V	22.8-25.2V	120W	150W	5A	6.25A	95%	3200uF
LOF120-20B27-C	27V	25.6-28.4V	119.9W	149.8W	4.44A	5.54A	95%	2400uF
LOF120-20B36-C	36V	35.28-37.8V	120W	149.76W	3.33A	4.16A	94%	2000uF
LOF120-20B48-C	48V	45.6-50.4V	120W	150W	2.5A	3.125A	94.5%	1600uF
LOF120-20B54-C	54V	51.3-55.5V	120W	149.58W	2.22A	2.77A	94%	1300uF

1. 30 min between overloads
2. At 100% load, 230VAC.

3. Unless stated figures are at 25°C <75RH at nom input and full nom load.
4. At light loads, to improve efficiency, there will be an audible noise. This is not to be considered as a sign the product is defective or showing a loss in performance or reliability.

Input

Parameter	Min	Typical	Max	Unit	Notes/Conditions
Input voltage	85		264	VAC	See page 5 for derating curve
Input frequency	47		63	Hz	
Power factor	0.94		0.98		EN61000-3-2 class A and D compliant. 0.94 at 230VAC and 0.98 at 115VAC
Input current (rms)			2/1	A	115VAC/230VAC
Inrush current		40/75		A	115/230VAC cold start at 25°C
No load input power			<0.5	W	PS_ON at low potential
Leakage current			0.1/0.5	mA	Touch current / earth leakage at 240VAC

Output

Parameter	Min	Typical	Max	Unit	Notes/Conditions
Output voltage	12		54	VDC	See Models & Ratings table
Output voltage adjust		±5		%	See Models & Ratings table
Set point accuracy		±1 / ±2		%	12-15V ±2%, 24-54V ±1%
Line regulation		±0.5		%	
Load regulation		±1		%	0-100% load
Minimum load	0			%	
Ripple & noise			200	mV	All models measured with 0.1uF ceramic and 47uF low ESR electrolytic capacitor. 20 MHz bandwidth. At rated line and full load.
Hold up time	15			ms	25°C.

Protections

Parameter	Min	Typical	Max	Unit	Notes/Conditions
Overload	130			%	Trip and restart. Automatic recovery
Short circuit					Trip and restart. Automatic recovery <5sec
Overvoltage		12V model - 16V 15V model - 25V 24V model - 32V 27V model - 35V 36V model - 50V 48V model - 60V 54V model - 60V		VDC	Max figures. Latch off reset

Controls/Functions

Parameter	Min	Typical	Max	Unit	Notes/Conditions
Voltage Adjust					

Safety

Parameter	Min	Typical	Max	Unit	Notes/Conditions
Safety standards	ES/EN60601-1, EN60335-1, IEC/EN62368-1				Designed to meet
Isolation: Input to output	4000			VAC	2x MOPP
Isolation: Input / output to ground	1500			VAC	1500VAC from input to ground. 1 x MOPP BF rated
Insulation resistance	100			MΩ	Rated load 100MΩ insulation 25°C ±5, RH <70% at 500VDC

EMC: Immunity

	Standard	Test level	Criteria	Notes/Conditions
ESD	EN61000-4-2	3	A	±8kV contact, ±15kV air.
Radiated	EN61000-4-3	3	A	10V/m 80MHz-2.7GHz sine wave 80% AM 1kHz
EFT	EN61000-4-4	3	A	±2kV
Surges	EN61000-4-5	Installation class 3	A	±2kV Live-Neutral, ±4kV Live/Neutral—Earth
Conducted	EN61000-4-6	3	A	10Vrms
Voltage dips & interruptions	EN61000-4-11		B	

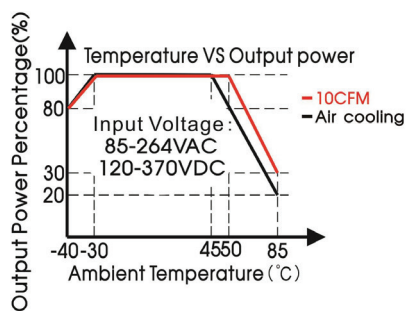
EMC: Emissions

	Standard	Test level	Criteria	Notes/Conditions
Conducted	EN55032/11	B		CISPR22-B/FCC PART15-B
Radiated	EN55032/11	A/B		Level A for Class II installation
Harmonic current	EN61000-3-2	Class A & D		
Voltage flicker	EN61000-3-3			

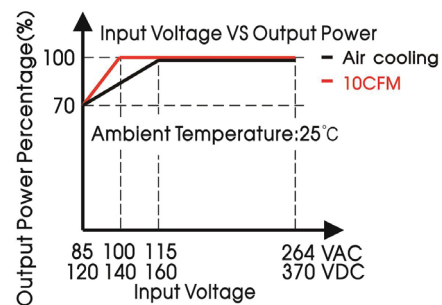
Environmental

Parameter	Min	Typical	Max	Unit	Notes/Conditions
Operating temperature	-40		85	°C	See derating curve.
Storage temperature	-40		85	°C	
Cooling					Free air / 10CFM
Temperature coefficient		0.03		%/°C	
Humidity	20		90	% RH	Non condensing. Storage 10-95%
MTBF	>300			kHrs	As per MIL-HDBK-217F@25°C

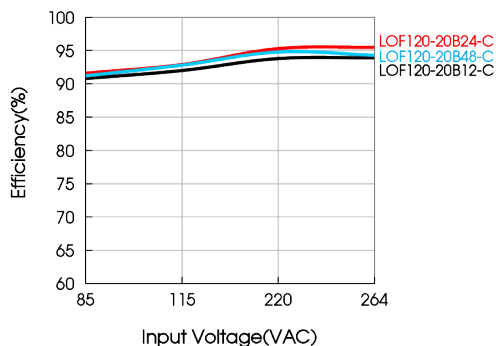
LOF120-20B12-54V



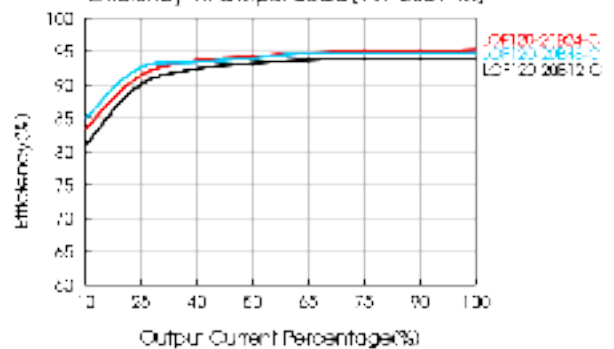
LOF120-20B12-54V



Efficiency Vs Input Voltage (Full Load)

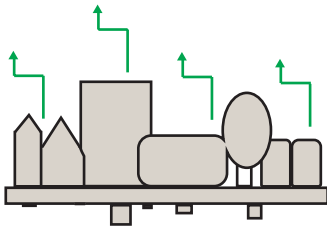


Efficiency Vs Output Load (Vin=230VAC)



Installation Advice

EMC

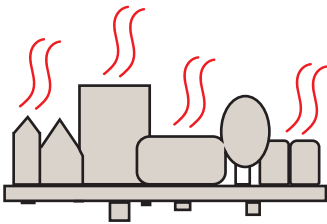


Conducted and radiated emissions compliance is a common application consideration. It is important to remember that even when using a properly filtered PSU, an application may still not achieve compliance if it is not designed to minimise emissions. That being said, there are a number of things that can be done to optimise EMC performance either as best practice, or if you are struggling for compliance:

- 1)** Connect all marked EMI ground points to earth. Often these are combined with the safety earth point (in class I installations), but on some power supplies there may be additional earth tags or mounting points.
- 2)** Minimise the length of input/output wiring where possible and try to maintain max distance of the conductors from the PSU, to prevent noise pick up. Avoid bundling input and output cables together. A common component to avoid placing wiring near is the PFC inductor in power factor corrected power supplies.
- 3)** Apply additional filtering before the PSU input (ensure consideration of which frequencies there are issues with before selecting a filter).
- 4)** When using an open frame PSU, mount the supply on a metal plate and connect EMI mounting points.
- 5)** In multi circuit systems, decouple the circuits locally.
- 6)** Ferrites added between the PSU and system input connector and/or the DC output cables can help in reducing radiated noise issues in systems. If seen, issues are commonly in the 30-150MHz area.

For more detailed assistance, if you still have any concerns with compliance, please get in contact with our Engineering department who are on hand to assist with any queries.

Thermal



Thermal management is an important consideration when thinking about equipment service life. Electrolytic capacitors within the PSU wear with time and are typically the first end-of-life failure. Keeping the operation temperature of key components within the PSU, such as the electrolytic capacitors, as low as possible is paramount. As a general rule, for every 10°C drop in the operating temperature of the electrolytic capacitors you double their lifetime, and thus the lifetime of the power supply. When looking at thermal performance it is helpful to test under a worst-case set of conditions, to ensure component temperatures are in an acceptable range for the required service life. Then consider the impact of operational time, load and temperature profile to estimate a more realistic lifetime for your PSU.

Also, many Fidus power supplies offer a Peak Power rating to provide for customers with pulsing loads. When using a peak power capability customers must consider:

- 1)** Peak duration rating: the maximum length of time the peak can be drawn for
- 2)** Duty cycle: the frequency with which the peak can be drawn. (e.g. 10% duty cycle, 1 second on:9 seconds off)
- 3)** Average power value: datasheets will state the maximum average power acceptable with peak power PSUs. If any of these elements are exceeded the supply may overheat, with performance and lifetime suffering as a result.