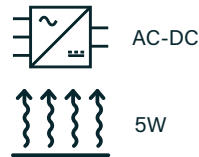
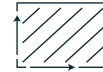


YSM10 5W SERIES



DIMENSIONS:



1.81 x 1.0 x 0.846" (46 x 25.5 x 21.5mm)

EN55032 LEVEL B

**NO-LOAD POWER
<0.1W**

**-30 TO 70°C
OPERATION**

Part numbers

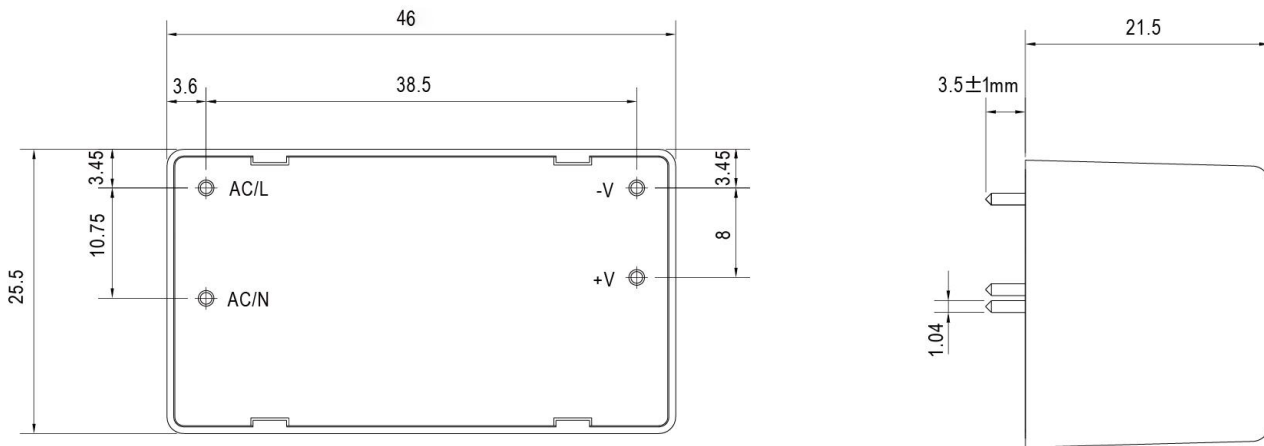
YSM10	033	1250
Series	Output voltage	Output current
	033 = 3.3VDC 050 = 5VDC 120 = 12VDC 150 = 15VDC 240 = 24VDC	1250 = 1.25A 1000 = 1.00A 0420 = 0.42A 0330 = 0.33A 0230 = 0.23A

Key specifications

Input range	Safety certification	Efficiency	Environmental performance
90-264VAC	IEC/UL/EN 62368-1	68-77%	-30 to 70°C

YSM10 5W SERIES

Mechanical

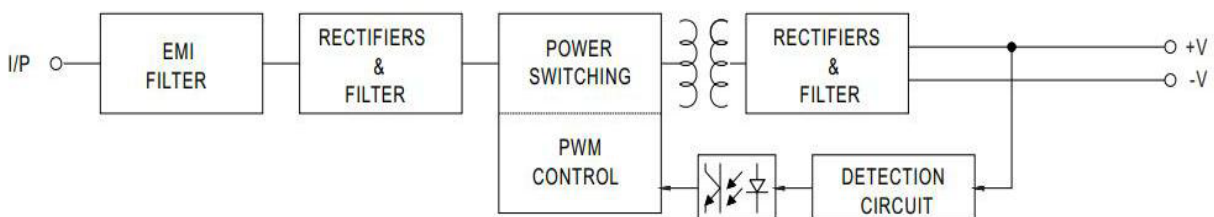


Notes

1. All dimensions shown in mm
2. Weight - 40g

Application Notes

fosc : 65KHz



YSM10 5W SERIES

Models & Ratings

Model Number	Output Power	Output Voltage	Output current	Efficiency (1)
YSM10-0331250	4.125W	3.3V	1.25A	68%
YSM10-0501000	5W	5V	1A	71%
YSM10-1200420	5.04W	12V	0.42A	75%
YSM10-1500330	4.95W	15V	0.33A	75%
YSM10-2400230	5.52W	24V	0.23A	77%

1. Typical efficiency at 230VAC

Input

Parameter	Min	Typical	Max	Unit	Notes/Conditions
Input voltage	90		264	VAC	See page 5 for derating curve
Input frequency	50		60	Hz	
Input current	0.08		0.12	A	0.12A 115VAC / 0.8A 230VAC
Inrush current	20		40	A	20A at 115VAC and 40A at 230VAC. Cold start.
No load input power			0.1	W	
Leakage current			0.25	mA	264VAC

Output

Parameter	Min	Typical	Max	Unit	Notes/Conditions
Output voltage	3.3		24	VDC	See Models & Ratings table
Set point accuracy		±2.5		%	
Line regulation		±0.3		%	
Load regulation		±0.5		%	0 to 100% load
Ripple and noise		200		mV pk-pk	All models measured with 10uF and 0.1uF capacitor. 20 MHz bandwidth
Hold up time	15		80	mS	15ms for 115VAC and 80ms for 230VAC

YSM10 5W SERIES

Protections

Parameter	Min	Typical	Max	Unit	Notes/Conditions
Overload	115		190	%	Trip and restart. Automatic recovery
Short circuit					Trip and restart. Automatic recovery
Over voltage		3.3V model = 4.95V 5V model = 6.75V 12V model = 16.2V 15V model = 20.25V 24V model = 32.4V		V max	Protection type - clamp by Zener Diode. Latch reset

Safety

Parameter	Min	Typical	Max	Unit	Notes/Conditions
Safety standards		IEC/EN/UL62368-1			
Isolation: Input to output	3000			VAC	

EMC: Immunity

	Standard	Test level	Criteria	Notes/Conditions
ESD	EN61000-4-2	2/3	A	±4kV contact / ±8kV Air
Radiated	EN61000-4-3	2	A	3V/m
EFT	EN61000-4-4	2	A	±1kV N/L
Surges	EN61000-4-5	Installation class 3	A	±1kV L/N
Conducted	EN61000-4-6	2	A	3Vrms
Voltage dips and interruptions	EN61000-4-11	0% dips, 70% dips and interruption performance criteria B,C,C		

EMC: Emissions

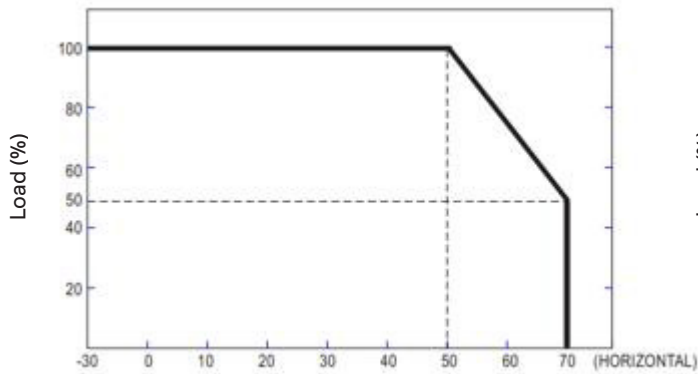
	Standard	Test level	Criteria	Notes/Conditions
Conducted	EN55032	B		
Radiated	EN55032	B		
Harmonic current	EN61000-3-2	Class A		
Voltage flicker	EN61000-3-3			

YSM10 5W SERIES

Environmental

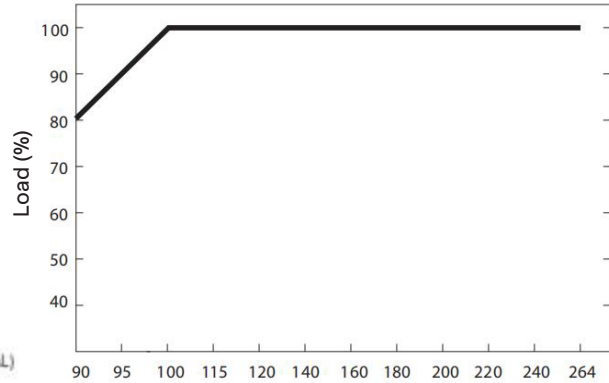
Parameter	Min	Typical	Max	Unit	Notes/Conditions
Operating temperature	-30		70	°C	See derating curve. 20-90% RH
Storage temperature	-40		85	°C	10-95% RH non-condensing
Temperature coefficient			±0.03	%/°C	0-50°C
MBTF	>1.4			MHrs	As per MIL-HDBK-217F, 25°C GB

Deduction Curve and Temperature



Environmental temperature (°C)

Minus Output and Input Voltage Curves



Input voltage (VAC)