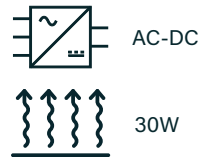
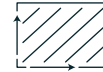


## YSM30 SERIES



DIMENSIONS:



PCB: 2.74 x 1.54 x 0.94" (69.5 x 39 x 24mm)  
T: 3.58 x 1.56 x 1.12" (91 x 39.5 x 28.5mm)

EN55032 LEVEL B

NO-LOAD POWER  
<0.1W

-30 TO 70°C  
OPERATION

### Part numbers

YSM	30	T	050	6000
Series	Power	Terminal	Output voltage	Output current
	30W	None = PCB mount T = Screw terminal	050 = 5VDC 120 = 12VDC 150 = 15VDC 240 = 24VDC 480 = 48VDC	6000 = 6A 2500 = 2.5A 2000 = 2A 1250 = 1.25A 0630 = 0.63A

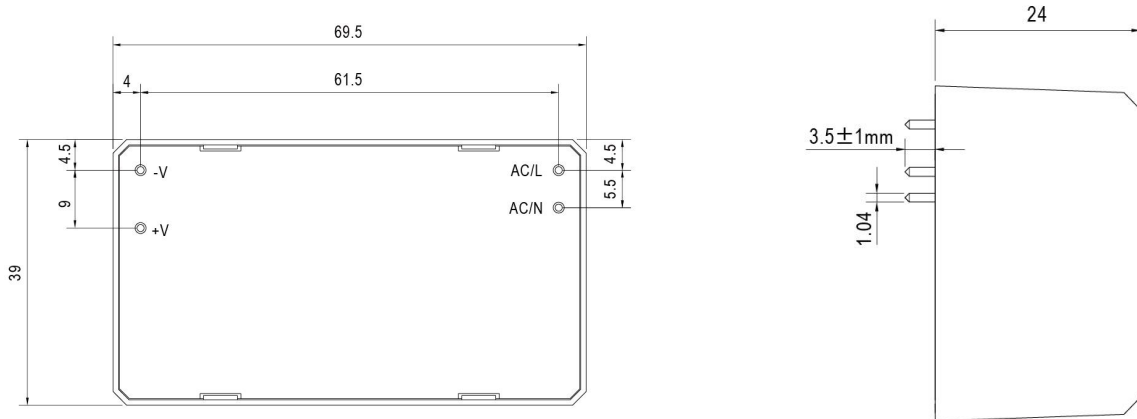
### Key specifications

Input range	Safety certification	Efficiency	Environmental performance
90-264VAC	IEC/UL/EN 62368-1	83-90%	-30 to 70°C

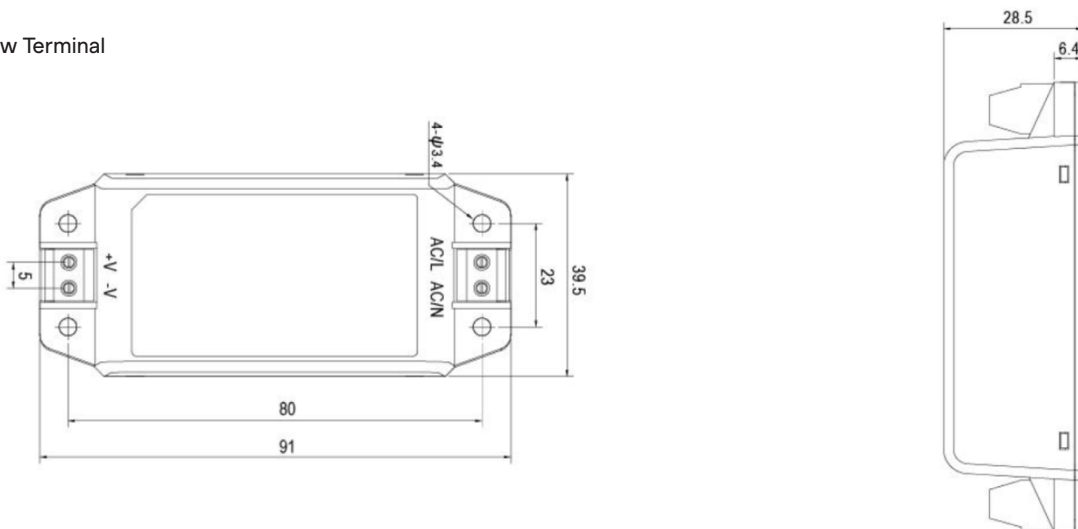
## YSM30 SERIES

### Mechanical

PCB Mount



Screw Terminal

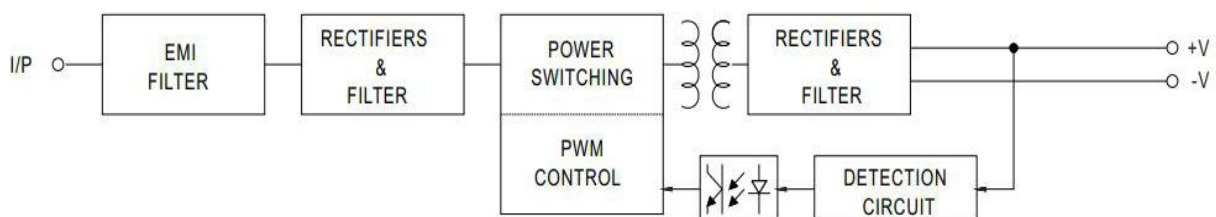


### Notes

1. All dimensions shown in mm
2. Weight: PCB 85g Terminal: 104g

### Application Notes

fosc : 65KHz



## YSM30 SERIES

### Models & Ratings

Model Number (1)	Output Power	Output Voltage	Output current	Efficiency (2)	Noise and ripple (3)
YSM30-0506000	30W	5V	6A	83%	120mVp-p
YSM30-1202500	30W	12V	2.5A	88%	150mVp-p
YSM30-1502000	30W	15V	2A	88%	200mVp-p
YSM30-2401250	30W	24V	1.25A	88.5%	240mVp-p
YSM30-4800630	30W	48V	0.63A	90%	300mVp-p

1. Add T for screw terminal version i.e:- YSM30T-0506000  
 2. Add typical efficiency at 230VAC

3. 10uF and 0.1uF capacitor 20MHz bandwidth

### Input

Parameter	Min	Typical	Max	Unit	Notes/Conditions
Input voltage	90		264	VAC	See page 5 for derating curve
Input frequency	50		60	Hz	
Input current	0.5		0.75	A	0.75A 115VAC / 0.5A 230VAC
Inrush current	25		45	A	25A at 115VAC and 45A at 230VAC. Cold start.
No load input power			0.1	W	
Leakage current			0.25	mA	264VAC

### Output

Parameter	Min	Typical	Max	Unit	Notes/Conditions
Output voltage	5		48	VDC	See Models & Ratings table
Set point accuracy		±2		%	
Line regulation		±0.5		%	
Load regulation	±0.5		±1	%	±1% for 5V
Ripple and noise	120		300	mV pk-pk	10uF and 0.1uF capacitor 20 MHz bandwidth
Hold up time	10		40	mS	10ms for 115VAC and 40ms for 230VAC

## YSM30 SERIES

### Protections

Parameter	Min	Typical	Max	Unit	Notes/Conditions
Overload	115		160	%	Trip and restart. Automatic recovery
Short circuit					Trip and restart. Automatic recovery
Over voltage		5V model = 6.75 12V model = 16.2 15V model = 20.25 24V model = 32.4 48v model = 64		V max	Max. Clamp by Zener Diode, latch rest

### Safety

Parameter	Min	Typical	Max	Unit	Notes/Conditions
Safety standards	IEC/EN/UL62368-1				
Isolation: Input to output	4000			VAC	

### EMC: Immunity

	Standard	Test level	Criteria	Notes/Conditions
ESD	EN61000-4-2	2/3	A	±4kV contact / ±8kV Air
Radiated	EN61000-4-3	2	A	3V/m
EFT	EN61000-4-4	2	A	±1kV N/L
Surges	EN61000-4-5	Installation class 3	A	±1kV L/N
Conducted	EN61000-4-6	2	A	3Vrms
Voltage dips and interruptions	EN61000-4-11	0% interruptions 70% dips performance criteria B,C,C		

### EMC: Emissions

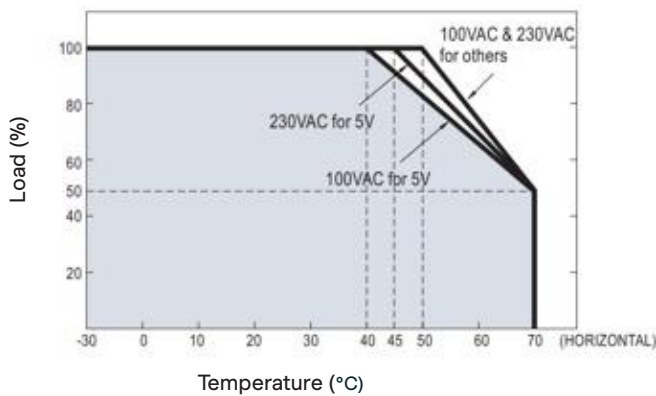
	Standard	Test level	Criteria	Notes/Conditions
Conducted	EN55014	B		
Radiated	EN55014	B		
Harmonic current	EN61000-3-2	Class A		
Voltage flicker	EN61000-3-3			

## YSM30 SERIES

### Environmental

Parameter	Min	Typical	Max	Unit	Notes/Conditions
Operating temperature	-30		70	°C	See derating curve. 20-90% RH
Storage temperature	-40		85	°C	10-95% RH non-condensing
Temperature coefficient			±0.03	%/°C	0-50°C
MBTF	600			KHrs	MIL-HDBK-217F(25°C)

Deduction Curve and Temperature



Minus Output and Input Voltage Curves

