

## 150 Watts

- US DoE Energy efficiency level VI
- EN55032 Level B conducted & radiated
- Class I or II models
- Single outputs 12 to 48V
- Low profile
- 3 Year warranty



The EDT150 range of external AC-DC power adapters are compliant with the latest energy efficiency Level VI standard. The units offer 150 watts of output power in a slim package with output voltages available between 12 and 48VDC. The range is reliable, cost competitive, and comes with an impressive FiDUS 3 year warranty.

Dimensions:

3.06 x 6.61 x 1.78" (77.6 x 168.0 x 45.2mm)

### Models & Ratings

SELECT YOUR CONNECTOR PG4

Model Number	Output Power	Output voltage	Output Current	Efficiency
EDT15012-C14	150W	12V	12.5A	88%
EDT15015-C14	150W	15V	10A	88%
EDT15019-C14	150W	19V	7.89A	89%
EDT15024-C14	150W	24V	6.25A	89%
EDT15030-C14	150W	30V	5A	90%
EDT15036-C14	150W	36V	4.16A	90%
EDT15048-C14	150W	48V	3.12A	91%

### Notes

1. Alternative output connectors available for production quantities
2. For UK/ US/ EU mains power cable please order UK-C14, US-C14 or EU-C14 separately
3. Class II units available. Change -C14 for -C8

### Key specifications

Parameter	Minimum	Typical	Maximum	Units	Notes & Conditions
AC Input range	90		260	VAC	No derating
Operating temperature	-20		70	°C	Derate linearly from 100% load at 40°C to 50% load at 70°C
Efficiency	88		91	%	At full load, rated line. See rating table above
Dimensions	3.06 x 6.61 x 1.78" ±0.04 (77.6 x 168.0 x 45.2mm ±1.0)				
EMC	EN55032 Level B Conducted and Radiated. EN61000-3 and EN61000-4, harmonics, flicker, Surge, EFT, ESD, conducted and radiated.				
Safety	IEC 60950-1:2005 /A2:2013, UL 60950-1: 2nd edition, EN60950-1:2006 /A2:2013, IEC62368-1 Ed2 + A11, UL/CAN 62368-1				

### Input

Parameter	Minimum	Typical	Maximum	Units	Notes & Conditions
Input voltage	90		260	VAC	No derating
Input frequency	47		63	Hz	
Power factor	0.95				EN61000-3-2 class A compliant
Input current			2	A	Low line. Full load Vin=100VAC
			0.8		High line. Full load Vin=240VAC
Inrush current			60	A	Low line. Full load 25°C cool start Vin=100VAC
			120		High line. Full load 25°C cool start Vin=240VAC
No load input power			0.21	W	
Earth leakage current			0.75	mA	240VAC 60Hz Class I construction

## Output

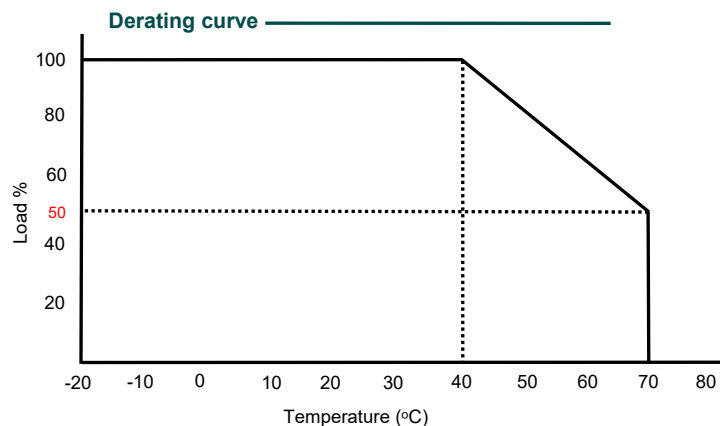
Parameter	Minimum	Typical	Maximum	Units	Notes & Conditions
Output voltage	12		48	VDC	
Total regulation	±3		±5	%	Includes set accuracy, line & load regulation. ≤19V: ±5%, 24V ±4% 30-48V: ±3%
Line regulation			1	%	Full load, Vin=100 to 120VAC. Line regulation is defined by changing ±10% of input voltage from nominal line at rated load
Load regulation	2		4	%	Vin=230VAC, 10 to 90% load change at condition. Load regulation is defined by changing ±40% of measured output load from 60% rated load
Minimum load	0			%	
Time of Transient response			4	ms	Full load, Vin=110VAC
Ripple & Noise	12V model 120mVp-p, 15V model 150mVp-p, 19V model 190mVp-p, 24V model 240mVp-p, 30-48V models 300mVp-p			mVp-p	All models measured with 0.1 and 47uF capacitor. 20 MHz bandwidth
Hold up time	16			ms	
Overload protection					Output protected to short circuit conditions
Over voltage protection	112		132	%	
Short circuit protection					Automatic recovery

## General

Parameter	Minimum	Typical	Maximum	Units	Notes & Conditions
Efficiency	88		91	%	See models & Ratings table
Isolation	Input to Output: 4242, Input to Ground: 2121			VDC	
Power density			4.2	W/in <sup>3</sup>	
MTBF	100			KHrs	As per MIL-HDBK-217F, 25°C GB
Weight	720		750	g	

## Environmental

Parameter	Minimum	Typical	Maximum	Units	Notes & Conditions
Operating temperature	-20		70	°C	Derate linearly from 100% load at 40°C to 50% load at 70°C
Storage temperature	-40		85	°C	
Cooling					Convection cooled
Altitude			5000	m	
Temperature coefficient			±0.04	%/°C	
Humidity	0		95	% RH	



## EMC: Emissions

	Standard	Test level	Criteria	Notes & Conditions
Conducted	EN55032	B		
Radiated	EN55032	B		
Harmonic current	EN61000-3-2	Class A		
Voltage flicker	EN61000-3-3			

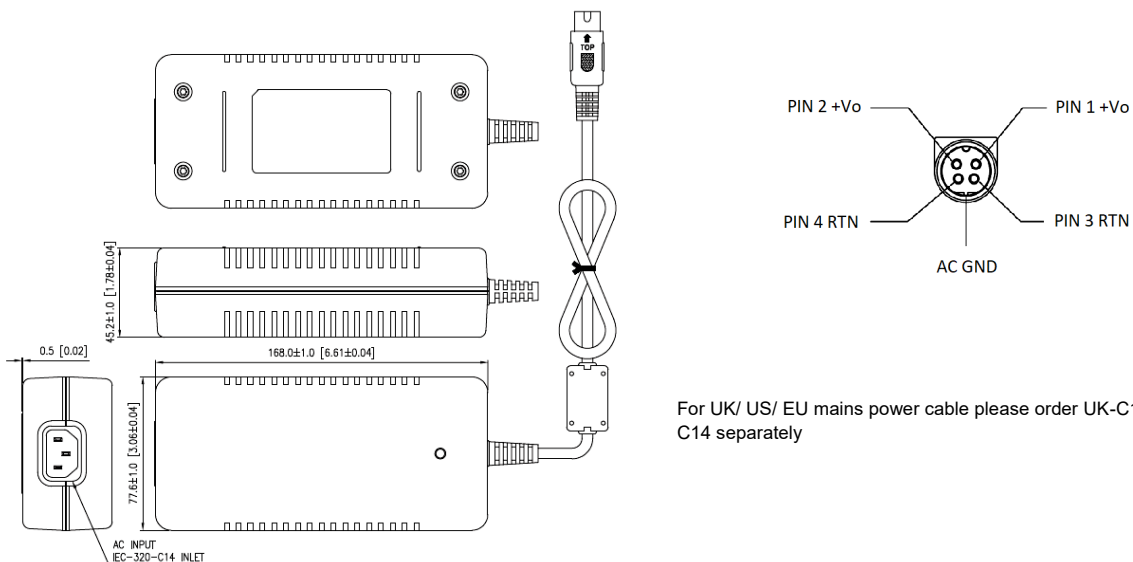
## EMC: Immunity

	Standard	Test level	Criteria	Notes & Conditions
ESD	EN61000-4-2	2,3	A	Contact: 4, Air: 8
Radiated	EN61000-4-3	3	A	
EFT	EN61000-4-4	3	A	
Surges	EN61000-4-5	Installation Class 3	A	
Conducted	EN61000-4-6	2	A	
Dips and interruptions	EN61000-4-11	>95% interruption 250 periods, >95% dip 0.5 periods, 30% dip 25 periods. Perf criteria: C,A,A		

## Safety Approvals

	Safety standard	Notes & Conditions
UL	UL 60950-1: 2nd edition, UL / CSA 62368-1 Ed2	
CB	IEC 60950-1:2005 /A2:2013, IEC 62368-1 Ed2 +A11	PSE
TUV	EN60950-1:2006 /A2:2013, EN 62368-1 Ed2	
CE		2011/65/EU RoHS Directive and 2014/35/EU Low voltage directive
Equipment protection class		Class I or II (change -C14 to -C8)

## Mechanical Details



For UK/ US/ EU mains power cable please order UK-C14, US-C14 or EU-C14 separately

## Notes

- All dimensions in mm (inches)
- 12-19V units will use AWG16 4ft, the remainder AWG14 4ft
- Output connector : Kycon style
- Negative DC output is floating, For earth bonded negative DC output please contact sales

## Connector Selector



The EDT150 series is available with an range of output connectors, allowing customers to use the connector that best fits their industry and product.

- + Rapid prototypes for evaluation
- + Available for high & low volume applications

### EDT150 SERIES - [CONNECTOR SELECTOR]

	<p><b>Friction locking</b></p>	<p>DIN-5 plug Friction locking Male</p>			<p>All models</p>	<p><b>-P05B</b></p>
	<p><b>Locking Unique</b></p>	<p>Molex 43025-0600 or CVILUX CP35006S0010</p>			<p>All models</p>	<p><b>-P35C</b></p>

Still can't find your ideal connector? Contact sales for assistance  
+44 (0)1183 420 730 [sales@fiduspower.com](mailto:sales@fiduspower.com)