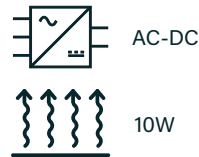
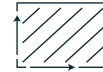


YSM10 10W SERIES



DIMENSIONS:



1.81 x 1.00 x 0.846" (46 x 25.5 x 21.5mm)

EN55032 LEVEL B

**NO-LOAD POWER
<0.1W**

**-30 TO 70°C
OPERATION**

Part numbers

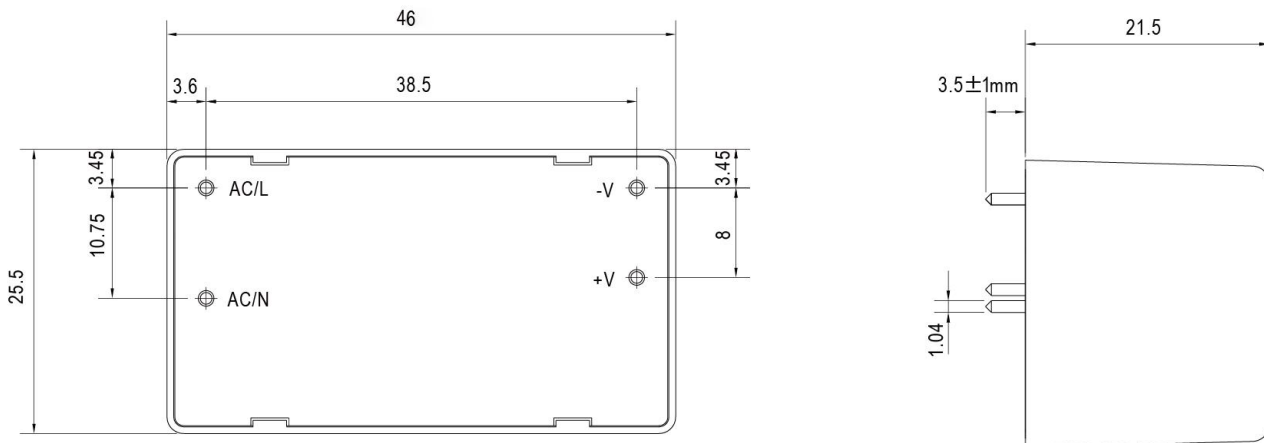
YSM10	033	2500
Series	Output voltage	Output current
	033 = 3.3VDC 050 = 5VDC 120 = 12VDC 150 = 15VDC 240 = 24VDC	2500 = 2.5A 2000 = 2A 0850 = 0.85A 0670 = 0.67A 0420 = 0.42A

Key specifications

90-264VAC	IEC/UL/EN 62368-1	74-82%	-30 to 70°C
-----------	-------------------	--------	-------------

YSM10 10W SERIES

Mechanical

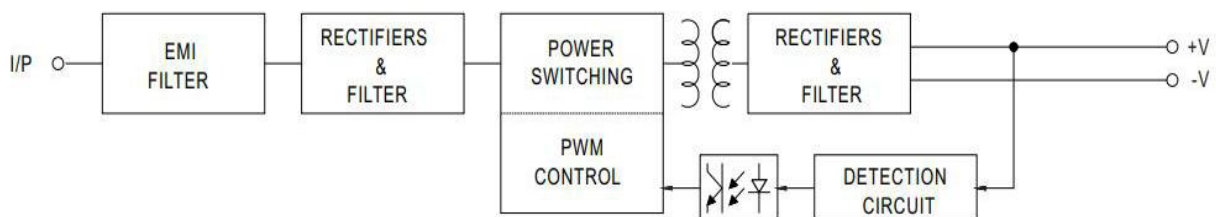


Notes

1. All dimensions shown in mm
2. Weight - 40g

Application Notes

fosc : 65KHz



YSM10 10W SERIES

Models & Ratings

Model Number	Output Power	Output Voltage	Output current	Efficiency (1)
YSM10-0332500	8.25W	3.3V	2.5A	74%
YSM10-0502000	10W	5V	2A	77%
YSM10-1200850	10.2W	12V	0.85A	82%
YSM10-1500670	10.05W	15V	0.67A	82%
YSM10-2400420	10.08W	24V	0.42A	82%

1. Typical efficiency at 230VAC

Input

Parameter	Value	Value	Value	Unit	Notes
Input voltage	90		264	VAC	See page 5 for derating curve
Input frequency	50		60	Hz	
Input current	0.15		0.25	A	0.25A 115VAC / 0.15A 230VAC
Inrush current	20		40	A	20A at 115VAC and 40A at 230VAC. Cold start.
No load input power			0.1	W	
Leakage current			0.25	mA	264VAC

Output

Parameter	Value	Value	Value	Unit	Notes
Output voltage	3.3		24	VDC	See Models & Ratings table
Set point accuracy		±2.5		%	
Line regulation		±0.3		%	
Load regulation		±0.5		%	0 to 100% load
Ripple and noise		200		mV pk-pk	All models measured with 10uF and 0.1uF capacitor. 20 MHz bandwidth
Hold up time	8		40	mS	8ms for 115VAC and 40ms for 230VAC

YSM10 10W SERIES

Protections

Parameter	Min	Typical	Max	Unit	Notes/Conditions
Overload	115		190	%	Trip and restart. Automatic recovery
Short circuit					Trip and restart. Automatic recovery
Over voltage		3.3V model = 4.95V 5V model = 6.75V 12V model = 16.2V 15V model = 20.25V 24V model = 32.4V		V max	Protection type - clamp by Zener Diode. Latch reset

Safety

Parameter	Min	Typical	Max	Unit	Notes/Conditions
Safety standards		IEC/EN/UL62368-1			
Isolation: Input to output	3000			VAC	

EMC: Immunity

Parameter	Standard	Test level	Criteria	Notes/Conditions
ESD	EN61000-4-2	2/3	A	±4kV contact / ±8kV Air
Radiated	EN61000-4-3	2	A	3V/m
EFT	EN61000-4-4	2	A	±1kV N/L
Surges	EN61000-4-5	Installation class 3	A	±1kV L/N
Conducted	EN61000-4-6	2	A	3Vrms
Voltage dips and interruptions	EN61000-4-11	0% dips, 70% dips and interruption performance criteria B,C,C		

EMC: Emissions

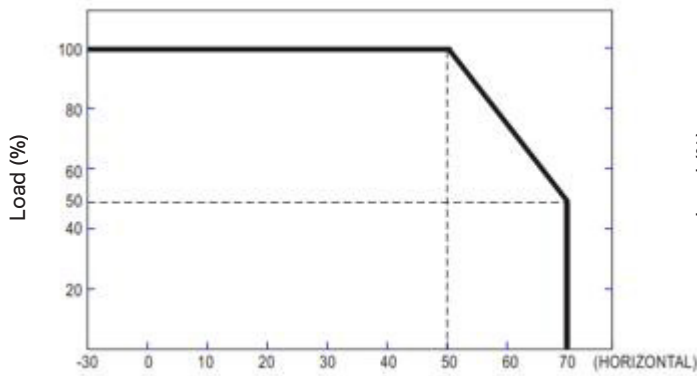
Parameter	Standard	Test level	Criteria	Notes/Conditions
Conducted	EN55032	B		
Radiated	EN55032	B		
Harmonic current	EN61000-3-2	Class A		
Voltage flicker	EN61000-3-3			

YSM10 10W SERIES

Environmental

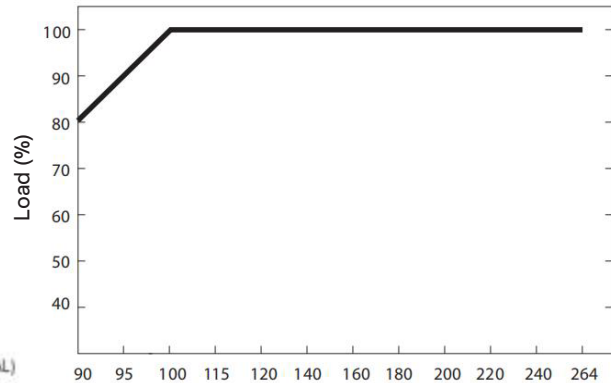
Operating temperature	-30		70	°C	See derating curve. 20-90% RH
Storage temperature	-40		85	°C	10-95% RH non-condensing
Temperature coefficient			±0.03	%/°C	0-50°C
MBTF	>1.4			MHrs	As per MIL-HDBK-217F, 25°C GB

Deduction Curve and Temperature



Environmental temperature (°C)

Minus Output and Input Voltage Curves



Input voltage (VAC)